

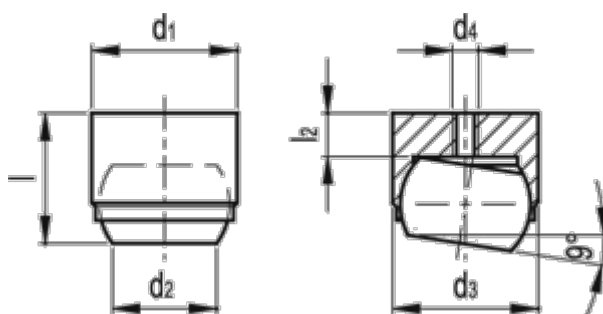
# Data Sheet



Article number: 20253011  
Description: E+G Clamping pad  
GN 709.2-12-B

## Measures

---



d1 m6 = 12  
d2 = 7.2  
d3 = 10  
d4 = M3  
d5 = 12  
h min = 6  
l +/-0.02 = 11  
l2 = 3.2

Max static load (KN) = 10  
Weight (g) = 8